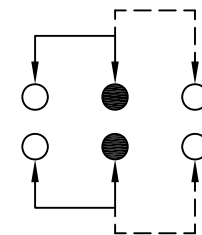
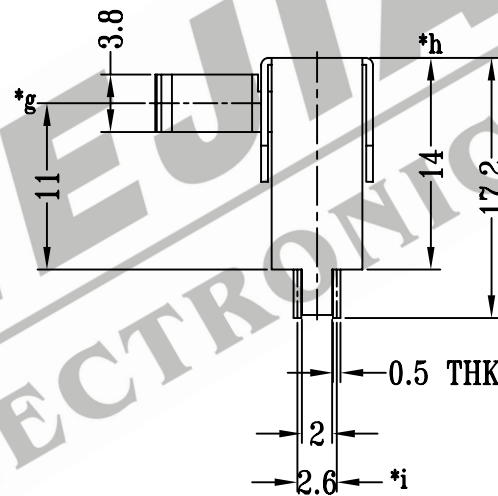
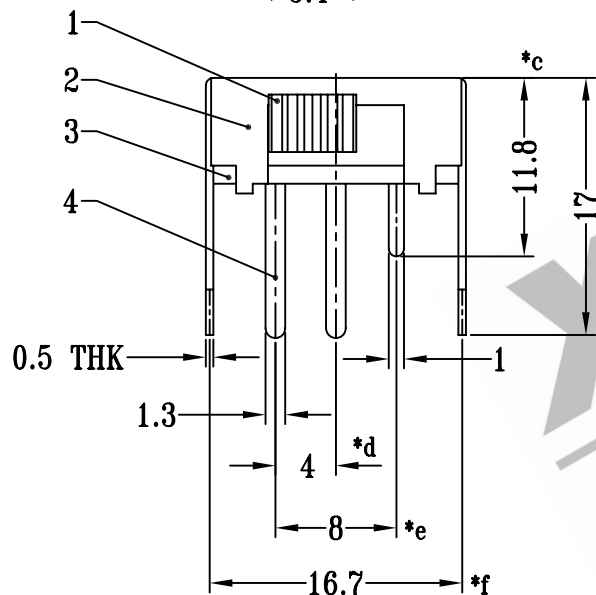
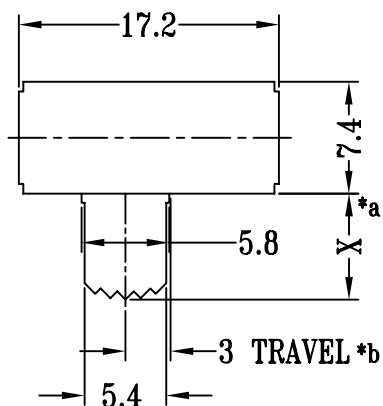
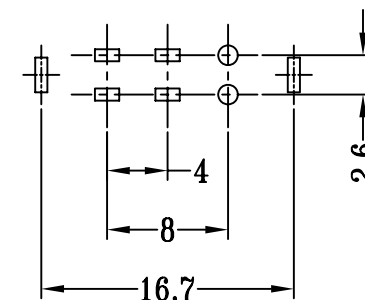


CAD FILE:



SCHMATIC (NON-SHORTING)



P.C.B. LAYOUT

注:带*表示关键尺寸(9个)

					TOLERANCE UNLESS SPECIFIED		SHENZHEN XIEJIA ELECTRONICS CO.,LTD.				
					WITHIN: 1.5±0.1mm OVER : 1.5±0.2mm		ISSUE	DATE	DESCRIPTIONS		APPD.
8											
7											
6	SPRING	STEEL WIRE	2	TEMPER							
5	CONTACT	BRASS STRIP	2	Ag PLATED							
4	TERMINAL	BRASS STRIP	6	Ag PLATED OVER Ni PLATED	TITLE : HORIZONTAL SLIDE SWITCH			UNIT : MM	DRWG NO.: XJ-DR-SK22F27-00		
3	BASE	PHENOLIC RESIN	1	BLACK	MODEL: SK-22F27			SCALE: 2 : 1	DWN.	ZHOUYU	2006-5-9
2	FRAME	STEEL STRIP	1	Ni PLATED	ALL MATERIALS MUST BE COMPLIANT TO ROHS				CHK'D	FANGYING	2006-5-9
1	KNOB	POM	1	BLACK					APPD.	KANGXINAN	2006-5-9
NO.	PART NAME	MATERIAL	Q'TY	FINISHING							